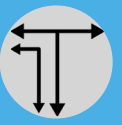


VZA In-line Aseptic Valves Zero Dead Leg



The In-line Aseptic Valves ZDL thanks to the engineered diaphragm avoid product entrapment in asymptotic area. The sealing surface is designed to be completely cleanable and sterilizable.

The internal design of the body grants a complete drainability and the reduction of the Dead Leg to the minimum. It also offers a wide range of optional and fully customizable according to project requirements.



ADVANTAGES:

- ✓ Fully draining
- ✓ Minimized dead leg
- ✓ Compact body
- ✓ CIP/SIP cleanable/sterilizable
- ✓ No product entrapment
- ✓ Minimized diaphragm's stress, more reliability and lifespan
- ✓ Simple and fast maintenance
- ✓ Certified materials for Pharmaceutical use
- ✓ Full traceability

APPLICATION:

In-Line Aseptic ZDL valves suitable for installation on the process lines of Pharmaceutical, Food & Beverage, Cosmetics, Dairy and Fine Chemicals plants. These valves are the ideal solution for points of use.

Size range	¾" - 1" - 1 ½" - 2" - 3" - 4" - 6"
End connections	Tri-Clamp or butt weld dimensionally according to ASME BPE
Stainless steel in contact parts Material	AISI 316L - 1.4404
Diaphragm Material	Modified PTFE Silicone (up to 2")
Internal surface finish	Ra ≤ 0.5µm
Working pressure rating	From ¾" to 2" Vacuum + 6 barg 3" and 4" Vacuum + 5 barg 6" Vacuum + 3.5 barg
Max working temperature	150°C
Certifications	3.1 material certificates (in contact) according to UNI EN 10204 FDA USP Class VI ATEX other certificates on request

*For actuators and optional see page 2-3

For further details about codes and download of the drawings, visit our
[CONFIGURATOR](#)

CONFIGURATOR

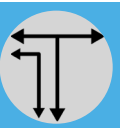


DATASHEETS



Last updates can be found on our website - www.aerreinox.it
In the interests of development of the product, we reserve the right to change the specifications without prior notice





AVAILABLE COMBINATIONS MAIN LINE SIZE

OUTLET SIZE (VALVE)	MAIN LINE SIZE							
	3/4"	1"	1 1/2"	2"	2 1/2"	3"	4"	6"
3/4"	✓	✓	✓	✓	✓	✓	✓	✓
1"		✓	✓	✓	✓	✓	✓	✓
1 1/2"			✓	✓	✓	✓	✓	✓
2"				✓	✓	✓	✓	✓
2 1/2"					✓	✓	✓	✓
3"						✓	✓	✓
4"							✓	✓
6"								✓

* Check our [configurator](#) for the complete code
For 1/2" size, contact us

STANDARD DIAPHRAGM

Size	Modified PTFE	Silicone
3/4"	MVA-075-T	MVA-075-X
1"	MVA-100-T	MVA-100-X
1 1/2"	MVA-150-T	MVA-150-X
2"	MVA-200-T	MVA-200-X
3"	MVA-300-T	-
4"	MVA-400-T	-

*The diaphragm's materials are not interchangeable.
Contact us for switching from a material to another.



MODIFIED PTFE

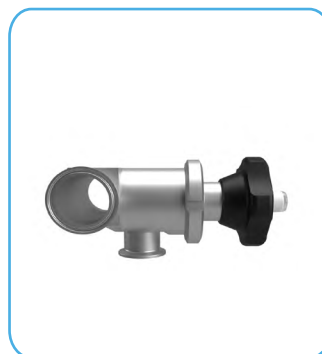


SILICONE

STANDARD ACTUATORS

- Manual and pneumatic thermoplastic have both visual position indicator
- Minimum air pressure for actuator opening:

Size	Bar
3/4"	5.5
1"	5.5
1 1/2"	6
2"	5
3"	4.5
4"	4



**MANUAL
THERMOPLASTIC**



**PNEUMATIC
THERMOPLASTIC
SIMPLE EFFECT N.C.**

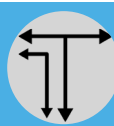
CONFIGURATOR



Last updates can be found on our website - www.aerreinox.it
In the interests of development of the product, we reserve the right to change the specifications without prior notice

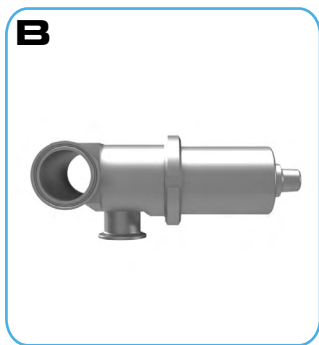
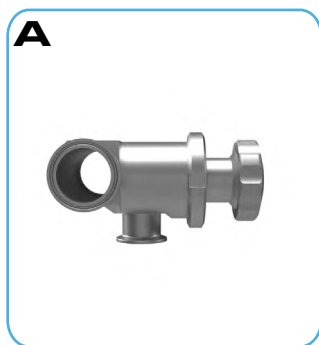
DATASHEETS





- Manual stainless steel **(A)**
- Pneumatic stainless steel simple effect N.C. **(B)**
- Pneumatic stainless steel double effect
- Pneumatic thermoplastic simple effect N.O.
- Pneumatic thermoplastic double effect
- Limit switch box **(C)**
- Sensors on handle **(D)**
- Integrated sampling valve **(E)**
- U - bend **(F)**
- Bellow type diaphragm for an increased stroke **(G)**
- Diaphragm with AISI 316L coating cap, for abrasive crystall application **(H)**
- Electropolishing
- Internal surface finish $Ra \leq 0.38\mu m$
- Other Materials
- Customizable on request
- ATEX certification

II 2G Ex h IIB T6...T3 Gb X
 II 2D Ex h IIIC T85°C...T155°C Db X



CONFIGURATOR



Last updates can be found on our website - www.aerreinox.it
 In the interests of development of the product, we reserve the right to change the specifications without prior notice

DATASHEETS

