

# VAR

## Aseptic Tank Bottom Valve

### Straight removable flanged body



The welding flange of the valve is conceived to be flush welded to the vessel bottom. With a sturdy design it is the ideal solution for high thickness tanks, guaranteeing also a simple and fast maintenance. Conceived to be completely cleanable and sterilizable; It also offers a wide range of optional and fully customizable according to project requirements.



#### ADVANTAGES:

- ✓ Simple and fast maintenance
- ✓ Removable solution
- ✓ Minimized dead leg
- ✓ Compact body
- ✓ CIP/SIP cleanable/sterilizable
- ✓ No product entrapment
- ✓ Minimized diaphragm's stress, more reliability and lifespan
- ✓ Certified materials for Pharmaceutical use
- ✓ Full traceability

#### APPLICATION:

Designed for meeting the requirements of the tanks in the Pharmaceutical, Food & Beverage, Cosmetics, Dairy and Fine Chemicals industries.

Our valves are suitable for direct installation on the bottom of tanks and preparation reactors for product discharge, with the best combination of hygienic design and flow optimization.

<b>Size range</b>	1" - 1" ½ - 2" - 3" - 4" - 6"
<b>End connections</b>	Tri-Clamp or butt weld dimensionally according to ASME BPE
<b>Stainless steel in contact parts Material</b>	AISI 316L - 1.4404
<b>Diaphragm Material</b>	Modified PTFE Silicone (up to 2")
<b>Internal surface finish</b>	Ra ≤ 0.5µm
<b>Working pressure rating</b>	From 1" to 2"      Vacuum + 6 barg 3" and 4"          Vacuum + 5 barg 6"                    Vacuum + 3.5 barg
<b>Max working temperature</b>	150°C
<b>Certifications</b>	3.1 material certificates (in contact) according to UNI EN 10204 FDA USP Class VI ATEX other certificates on request

\*For actuators and optional see page 2-3

For further details about codes and download of the drawings, visit our [CONFIGURATOR](#)

#### CONFIGURATOR



#### DATASHEETS




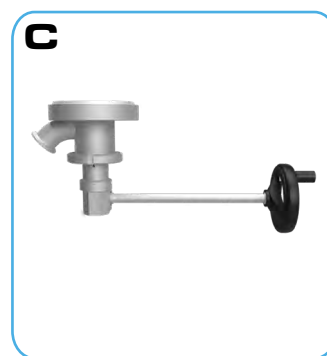
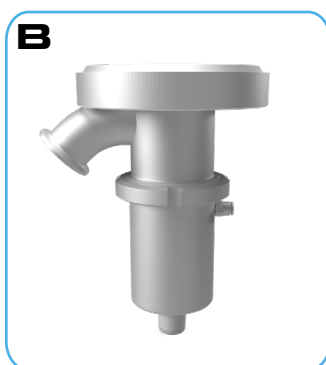
Last updates can be found on our website - [www.aerreinox.it](http://www.aerreinox.it)  
In the interests of development of the product, we reserve the right to change the specifications without prior notice







- Manual stainless steel **(A)**
  - Pneumatic stainless steel simple effect N.C. **(B)**
  - Pneumatic stainless steel double effect
  - Pneumatic thermoplastic simple effect N.O.
  - Pneumatic thermoplastic double effect
  - 90 Deg extension for manual actuator **(C)**
  - Limit switch box **(D)**
  - Sensors on handle **(E)**
  - CIP/SIP Connection for internal chamber **(F)**
  - CIP/ SIP satellite valve **(G)**
  - Bellow type diaphragm for an increased stroke **(H)**
  - Diaphragm with AISI 316L coating cap, for abrasive crystall application **(I)**
  - Electropolishing
  - Internal surface finish  $Ra \leq 0.38\mu m$
  - Other Materials
  - Customizable on request
  - ATEX certification
- CE  II 2G Ex h IIB T6...T3 Gb X  
 II 2D Ex h IIIC T85°C...T155°C Db X



## CONFIGURATOR



Last updates can be found on our website - [www.aerreinox.it](http://www.aerreinox.it)  
 In the interests of development of the product, we reserve the right to change the specifications without prior notice

## DATASHEETS

