



Sanitary Flow Indicator



**PUT A WINDOW
IN YOUR
PROCESSING
SYSTEMS**



SLB- 89TC FLOW INDICATOR

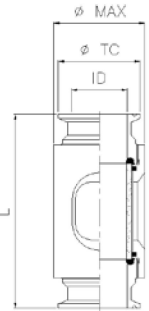
Dimensions

Applications

The Sanitary Flow Indicator BIO series is a compact double window design, suitable for a wide range of applications in high purity tubing systems and may be installed in any position to observe fluid flow. This feature ensures that the sight glasses are free-draining and avoids the possibility of fluid retention. The sight flow indicator is usually employed to detect either the presence or absence of solutions, or to observe fluid for turbulence, colour or clarity. The Sanitary Flow Indicator BIO series are ideal for high purity applications.

Advantages

- Can be cleared in situ - SIP / CIP
- Sterilizable – Autoclavable
- Full bore flow path
- Easy to install – compact design with large viewing area
- Stress, Crack and shatter resistant
- High temperature and pressure resistant
- Unique O-Ring seal design minimizes bacteria traps and eliminates possibility of fluid retention
- Built-in mechanical stop- no over tightening of glass insert
- Meets FDA and 3A specifications
- Full material traceability



Dimensions table

CODE	TC	ID	L	Dmax	Borosilicate glass		P max	T max
					OD	Thk		
SLO-050AGAG-VV-11A	25,0	9,4	76	25	14,4	2,5	6 bar	150°C
SLO-075AHAH-VV-11A	25,0	15,75	88,5	28	21	2,5	6 bar	150°C
SLO-100AJAJ-VV-11A	50,4	22,1	91	39	27,6	2,8	6 bar	150°C
SLO-150AMAM-VV-11A	50,4	34,8	105	52	41,6	3,3	6 bar	150°C
SLO-200ANAN-VV-11A	64,0	47,5	120	70	58,4	5,2	6 bar	150°C
SLO-200AOAO-VV-11A	77,5	60,2	151	95	80	9	6 bar	150°C
SLO-300APAP-VV-11A	91,0	72,9	174	104	90	9	6 bar	150°C
SLO-400ARAR-VV-11A	119,0	97,4	200	127	110	7	6 bar	150°C

The Sanitary Flow Indicator BIO series have two windows at 180° separation

Operating conditions

Design Pressure up to 6 bar
Design temperature up to 150 °C

Material

Body housing AISI 316L stainless steel
Ends (no.2) AISI 316L stainless steel
Insert material Borosilicate
O-ring (no.2) FKM oring
O-ring (no.2) FKM oring

Surface finish

Product contact surface are finish with Ra<0,5 micron or better

Marking

Each Sanitary Flow Indicator BIO is marked with code, material and Heat No. for full lot traceability



SL- 89TC FLOW INDICATOR

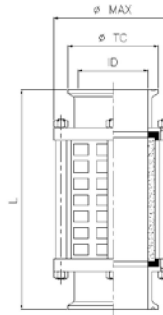
Dimensions

Applications

In line FULL VIEW model – SL code for pipe standard according ASTM A269/270 hygienic device may be clamp connected or orbital welded onto a piping system, offer clear process visibility for fit clamp fittings according BS 4825

Advantages

- Fast and simple installation and maintenance
- Suitable for food processing and sterile applications
- Extremely compact construction with large viewing area
- No product entrapment
- Sterilizable – Autoclavable
- Full bore flow path



Dimensions table

CODE	TC	ID	L	Dmax	Borosilicate glass		P max	T max
					OD	Thk		
SLP-100AJAJ-X-11A	50,4	22,1	156	64	32	2,8	6 bar	150°C
SLP-150AMAM-X-11A	50,4	34,8	156	74	50	5	6 bar	150°C
SLP-200ANAN-X-11A	64,0	47,5	156	84	60	5	6 bar	150°C
SLP-250AQAO-X-11A	77,5	60,2	186	99	75	5	6 bar	150°C
SLP-300APAP-X-11A	91,0	72,9	218	125	90	5	6 bar	150°C
SLP-400ARAR-X-11A	119,0	97,4	218	145	110	7	6 bar	150°C

L overall length = standard LTC clamped

standard execution with grid protection, without on request

SLL ordreing code for sight glass without grid protection

other connection on request

Operating conditions

Design Pressure up to 6 bar
Design temperature up to 150 °C

Material

Clamp ends (no.2) AISI 316L stainless steel
Bolts (no.4) AISI 304 stainless steel
Nuts (no.4) AISI 304 stainless steel
Insert material Borosilicate tempered glass
Gaskets (no.2) Silicone

Optional

AISI 304 splinterproof protection
Other elastomer (EPDM, Viton) available on request

Surface finishing

Product contact surface are finish with Ra<0,5 micron or better



SP- D54MP FLOW INDICATOR

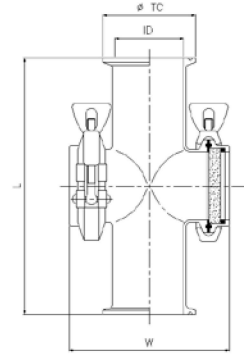
Dimensions

Applications

In line SEE-THRU model – D54MP series is a compact double window design, suitable for a wide range of applications in high purity tubing systems and may be installed in any position to observe fluid flow. For fit to clamp according BS 4825, pipe standard according ASTM A269 / 270, may be clamp connected or orbital welded onto a piping system, offer clear process visibility

Advantages

- Can be cleaned in situ - SIP/CIP
- Sterilizable – Autoclavable
- Stress, Crack and shatter resistant
- High temperature and pressure resistant
- Meets FDA and 3A specifications
- Full material traceability



Dimensions table

CODE	TC	ID	L	W	Borosilicate glass		P max	T max
					OD	Thk		
SLS-100AJAJ- (XG) -71A	50,4	22,1	140	78	40,5	9	atmospheric	150°C
SLS-150AMAM- (XG) -71A	50,4	34,8	140	118	40,5	9	atmospheric	150°C
SLS-200ANAN- (XG) -71A	64,0	47,5	178	118	52,5	9	atmospheric	150°C
SLS-250AOAO- (XG) -71A	77,5	60,2	178	165	66,0	9	atmospheric	150°C
SLS-300APAP- (XG) -71A	91,0	72,9	190	155	78,5	9	atmospheric	150°C
SLS-400ARAR- (XG) -71A	119,0	97,4	230	195	104,5	9	atmospheric	150°C

BS-OD butt weld connections available on request

Operating conditions

Design Pressure atmospheric
Design temperature up to 150 °C

Material

Body housing AISI 316L stainless steel
Ends (no.2) AISI 316L stainless steel
Insert material Borosilicate
O-ring (no.2) Silicone
O-ring (no.2) Silicone

Surface finish

Product contact surface are finish with Ra<0,5 micron or better.

Marking

Each Sanitary Flow Indicator BIO is marked with code, material and Heat No. for full lot traceability.



SLD- 90A FLANGED FLOW INDICATOR

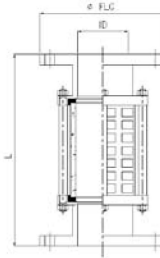
Dimensions

Applications

In line FULL VIEW SLD-90A code for pipe standard according ANSI B 36.10 hygienic device may be clamp connected or orbital welded onto a piping system, offer clear process visibility for fit flanged according UNI 2278-67 PN16

Advantages

- Fast and simple installation and maintenance
- Suitable for food processing and sterile applications
- Extremely compact construction with large viewing area
- No product entrapment
- Sterilizable – Autoclavable
- Full bore flow path



Dimensions table

CODE	DN	ID	L	D flg	Borosilicate glass		P max	T max
					OD	Thk		
SLL-100SCSC-X-11A	25	26,5	162	115	32	2,8	6 bar	150°C
SLL-125SCSC-X-11A	32	33,5	162	140	40	3,2	6 bar	150°C
SLL-150SCSC-X-11A	40	40,0	162	150	50	5	6 bar	150°C
SLL-200SCSC-X-11A	50	50,0	166	165	60	5	6 bar	150°C
SLL-250SCSC-X-11A	65	65,0	196	185	75	5	6 bar	150°C
SLL-300SCSC-X-11A	80	80,0	248	200	90	5	6 bar	150°C
SLL-400SCSC-X-11A	100	96,0	248	220	110	7	6 bar	150°C
SLL-500SCSC-X-11A	125	126,0	325	250	140	7	6 bar	150°C

L overall length = standard flanged

SLP ordreing code for sight glass with grid protection

other connection on request

Operating conditions

Design Pressure up to 6 bar
Design temperature up to 150 °C

Material

Clamp ends (no.2)	AISI 316L stainless steel
Bolts (no.4)	AISI 304 stainless steel
Nuts (no.4)	AISI 304 stainless steel
Insert material	Borosilicate tempered glass
Gaskets (no.2)	Silicone

Optional

AISI 304 splinterproof protection
Other elastomer (EPDM, Viton) available on request

Surface finishing

Product contact surface are finish with Ra<0,5 micron or better



SL2V – SL3V FLOW INDICATOR

Dimensions

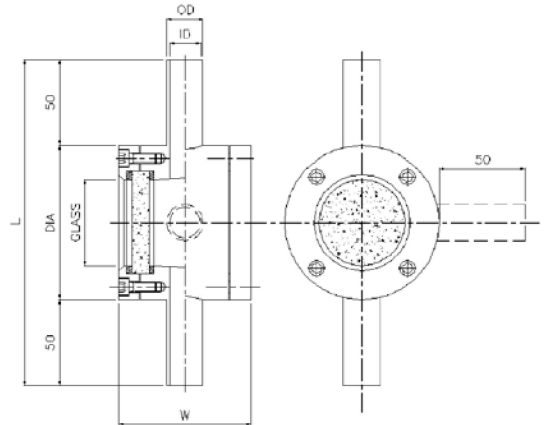
Applications

The SL2V-SL3V Flow Indicator is a compact double window design, suitable for a wide range of applications in high purity tubing systems and may be installed in any position to observe fluid flow. This feature ensures that the sight glasses are free-draining and avoids the possibility of fluid retention.

The sight flow indicator is usually employed to detect either the presence or absence of solutions, or to observe fluid for turbulence, colour or clarity. The SL2V –SL3V Flow Indicator are ideal for high purity applications.

Advantages

- Can be cleaned in situ - SIP / CIP
- Sterilizable – Autoclavable
- Full bore flow path
- Compact design with large viewing area
- Stress, Crack and shatter resistant
- High temperature and pressure resistant
- Meets FDA and 3A specifications
- Full material traceability



Dimensions table

CODE	2V	OD	ID	L	W	DIA	Glass	Borosilicate OD	glass Thk	P max	T max
SLG-200BGBG..	-G-11A	12,7	9,4	190	75	90	50	60	10	16 bar	250 °C
SLG-200BHBH..	-G-11A	19,05	15,75	190	75	90	50	60	10	16 bar	250 °C
SLG-200BJBJ..	-G-11A	25,4	22,1	190	75	90	50	60	10	16 bar	250 °C
SLG-300BMBM..	-G-11A	38,1	34,8	240	120	130	85	100	15	16 bar	250 °C
SLG-300BNBN..	-G-11A	50,8	47,5	240	120	130	85	100	15	16 bar	250 °C
SLG-300BOBO..	-G-11A	63,5	60,2	240	150	130	85	100	15	16 bar	250 °C
SLG-300BPBP..	-G-11A	76,1	72,9	240	150	130	85	100	15	16 bar	250 °C
SLG-300BRBR..	-G-11A	101,6	97,4	240	180	130	85	100	15	16 bar	250 °C
SLG-500FTFT..	-G-11A	/	/	280	212	180	125	150	20	10 bar	250 °C

Code for two ways sight glass

Operating conditions

Design Pressure up to 16 bar
Design temperature up to 250 °C

Material

Body housing AISI 316L stainless steel
Ends (no.2) AISI 316L stainless steel
Locking ring AISI 316L stainless steel
Bolts AISI 304 stainless steel
Insert material Borosilicate tempered glass to DIN 7080
Gasket (no.2) Virgin PTFE

Surface finish

Product contact surface are finish with Ra<0,5 micron or better

Marking

Each Sanitary Flow Indicator BIO is marked with code, material and Heat No. for full lot traceability

