

# VAW Flush Tank Washing Valve



The VAW washing valves, are equipped with oriented holes that direct the conical projection of a CIP solution into a defined area of tank surface. They can be installed in every part of the vessel (top, bottom or wall), allowing to clean the most difficult points or parts of instruments inside the tank like lower sides of the mixer's blades.

All of its components are designed for minimizing the dead leg: the TKW flange allows to be flush to the tank internal surface, the perforated disc is engineered for having a fine thickness and the necessary sturdiness, the dedicated diaphragm makes the seal directly on the perforated disc (without dead space)



VAW-050



VAW-150

## ADVANTAGES:

- ✓ Efficient, quick and economical cleaning
- ✓ Minimized dead leg
- ✓ Cover a wide area
- ✓ Simple and fast maintenance
- ✓ Certified materials for Pharmaceutical use
- ✓ Full traceability

## APPLICATION:

The VAW washing valve is designed to guarantee efficient, quick and economical cleaning of tanks and reactors in the pharmaceutical, biotechnology, food, cosmetics and chemical industries, where the most restrictive hygiene norms must be respected.

<b>Inlet size</b>	½" [VAW-050] or 1" [VAW-150]
<b>End connections</b>	Tri-Clamp or butt weld dimensionally according to ASME BPE
<b>Stainless steel in contact parts Material</b>	AISI 316L - 1.4404
<b>Diaphragm Material</b>	Modified PTFE
<b>Internal surface finish</b>	Ra ≤ 0.5µm
<b>Working pressure rating</b>	Max 5barg
<b>Working temperature rating</b>	From 0°C to 90°C
<b>Certifications</b>	3.1 material certificates (in contact) according to UNI EN 10204 FDA USP Class VI ATEX <b>other certificates on request</b>

\*For actuators and optional see page 3

For further details about codes and download of the drawings, visit our  
[CONFIGURATOR](#)

### CONFIGURATOR



### DATASHEETS



Last updates can be found on our website - [www.aerreinox.it](http://www.aerreinox.it)  
In the interests of development of the product, we reserve the right to change the specifications without prior notice

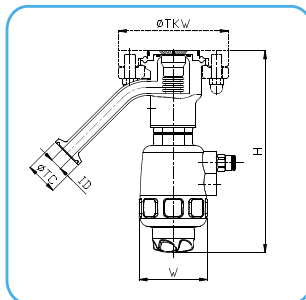


## Complete assembly composed by 3 items

### 1. VALVE

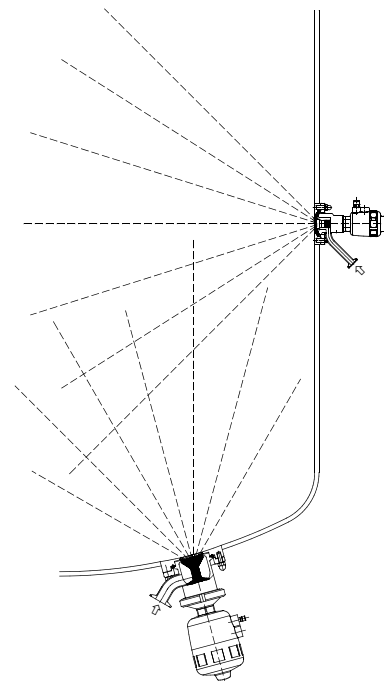
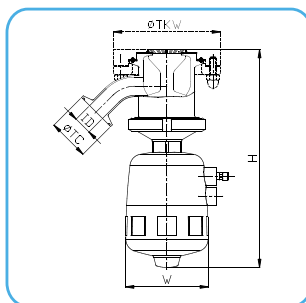
#### VAW-050

Pressure barg	Flow rate L/min	Wetting radius m
1	26.4	2
2	38.4	5
3	47.2	5
4	52	5
5	57.6	5



#### VAW-150

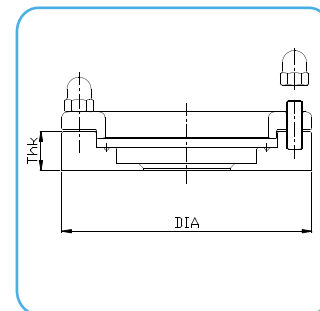
Pressure barg	Flow rate L/min	Wetting radius m
1	184.8	4
2	224.2	5
3	263.7	5
4	303.2	5.5
5	342.7	5.5



CODE	INLET SIZE	DN	ØTC mm	ID mm	TKW size	ØTKW mm	H mm	ØW mm
VAW-050AG-TPB-71A	1/2"	15	25	9.4	1"1/2	85	156	53
VAW-150AJ-TPB-71A	1"	25	50.5	22.1	3"	130	265	101

### 2. TK CONNECTION

CODE	VALVE size	TKW size	DIA mm	Thk mm
TKW-AM12-12A	VAW-050	1"1/2	85	12
TKW-AP20-12A	VAW-150	3"	130	20



### 3. SPRAY PERFORATED DISC

Valve Code	Spray perforated disc Code
VAW-050	VAW-078513406-XX-8A
VAW-150	VAW-078506404-VV-8A

\*for other materials or holes pattern contact us



#### CONFIGURATOR



Last updates can be found on our website - [www.aerreinox.it](http://www.aerreinox.it)  
 In the interests of development of the product, we reserve the right to change the specifications without prior notice

#### DATASHEETS





## STANDARD DIAPHRAGM

Valve Code	Diaphragm Code
VAW-050	MVPA-T-167905
VAW-150	MVA-150-T-078500803



MVPA-T-167905

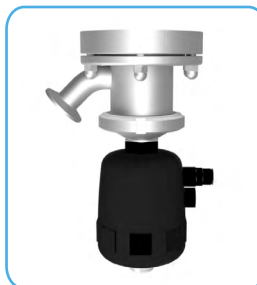


MVA-150-T-078500803

## STANDARD ACTUATORS

- Manual and pneumatic thermoplastic have both visual position indicator
- Minimum air pressure for actuator opening:

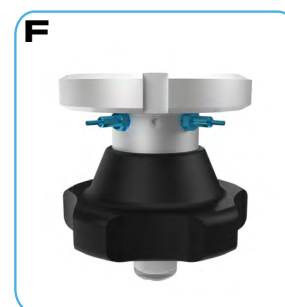
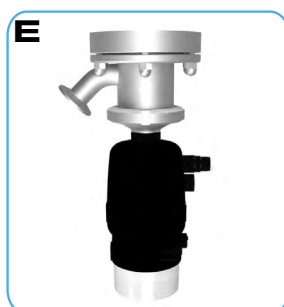
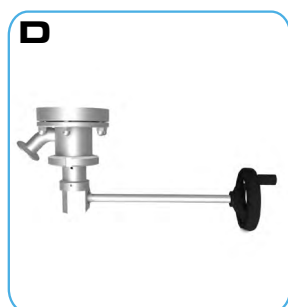
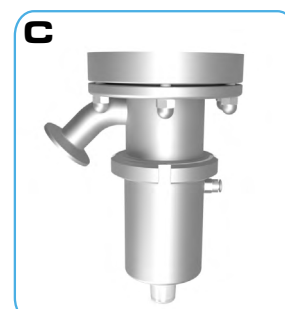
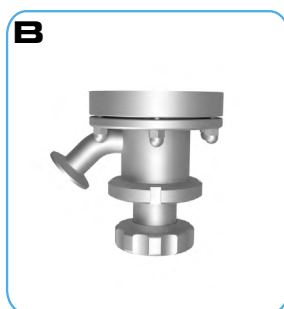
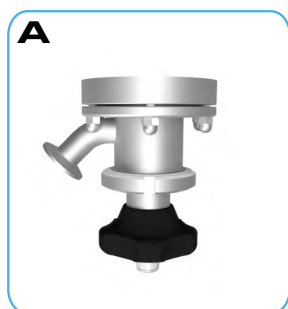
Valve Code	Bar
VAW-050	5.5
VAW-150	6



**PNEUMATIC THERMOPLASTIC SIMPLE EFFECT N.C.**

## OPTIONAL

- Manual thermoplastic **(A)**
- Manual stainless steel **(B)**
- Pneumatic stainless steel simple effect N.C. **(C)**
- Pneumatic stainless steel double effect
- Pneumatic thermoplastic simple effect N.C.
- Pneumatic thermoplastic double effect
- 90 Deg extension for manual actuator **(D)**
- Limit switch box **(E)**
- Sensors on handle **(F)**
- Electropolishing
- Internal surface finish  $Ra \leq 0.38\mu m$
- Other Materials
- Customizable on request
- ATEX certification  $\text{CE Ex II 2G Ex h IIB T6...T3 Gb X II 2D Ex h IIIC T85°C...T155°C Db X}$



### CONFIGURATOR



Last updates can be found on our website - [www.aerreinox.it](http://www.aerreinox.it)  
 In the interests of development of the product, we reserve the right to change the specifications without prior notice

### DATASHEETS

